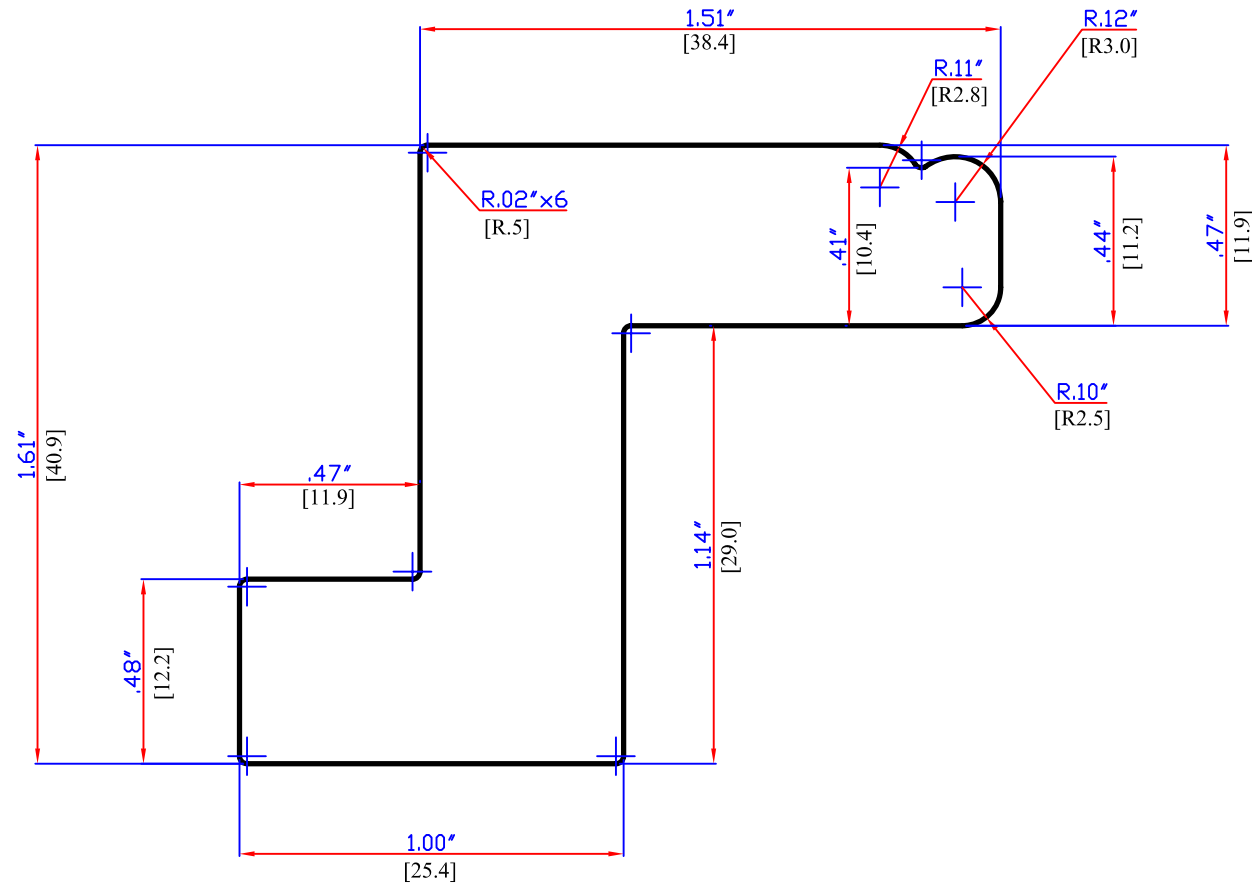


THIS INFORMATION CONTAINED IN THIS DRAWING IS THE SOLE PROPERTY OF C&M WOOD INDUSTRIES, INC. ANY REPRODUCTION IN PART OR AS A WHOLE WITHOUT THE WRITTEN PERMISSION OF C&M WOOD INDUSTRIES, INC. IS PROHIBITED.

REV	DESCRIPTION	DATE	DRAWN BY	APPROVED
01	INITIAL RELEASE	15/03/06	Thien	Hugo



NOTES:

1. ALL DIMENSIONS ARE FINISHED DIMENSIONS UNLESS OTHERWISE SPECIFIED.
2. BREAK ALL SHARP EDGES.
3. FINISH: SURFACE FINISH SHALL BE NO SCRATCH, SCAR OR DENT AND NO PATCH IN COLOR.

TOLERANCES UNLESS OTHERWISE SPECIFIED			NAME	DATE	C&M WOOD INDUSTRIES, INC.
SYMBOL	METRIC	ENGLISH	DRAWN BY	17/12/05	
.X / .XX	± .3	± .01	CHECKED	Sonny	DESCRIPTION R9AQ - Z - FRAME
.XX / .XXX	± .13	± .005	APPROVED	Hugo	
ANGLE	± 2°	± 2°			
	[MM]	INCH			DWG.NO. VS300
SCALE 2:1					REV. 01