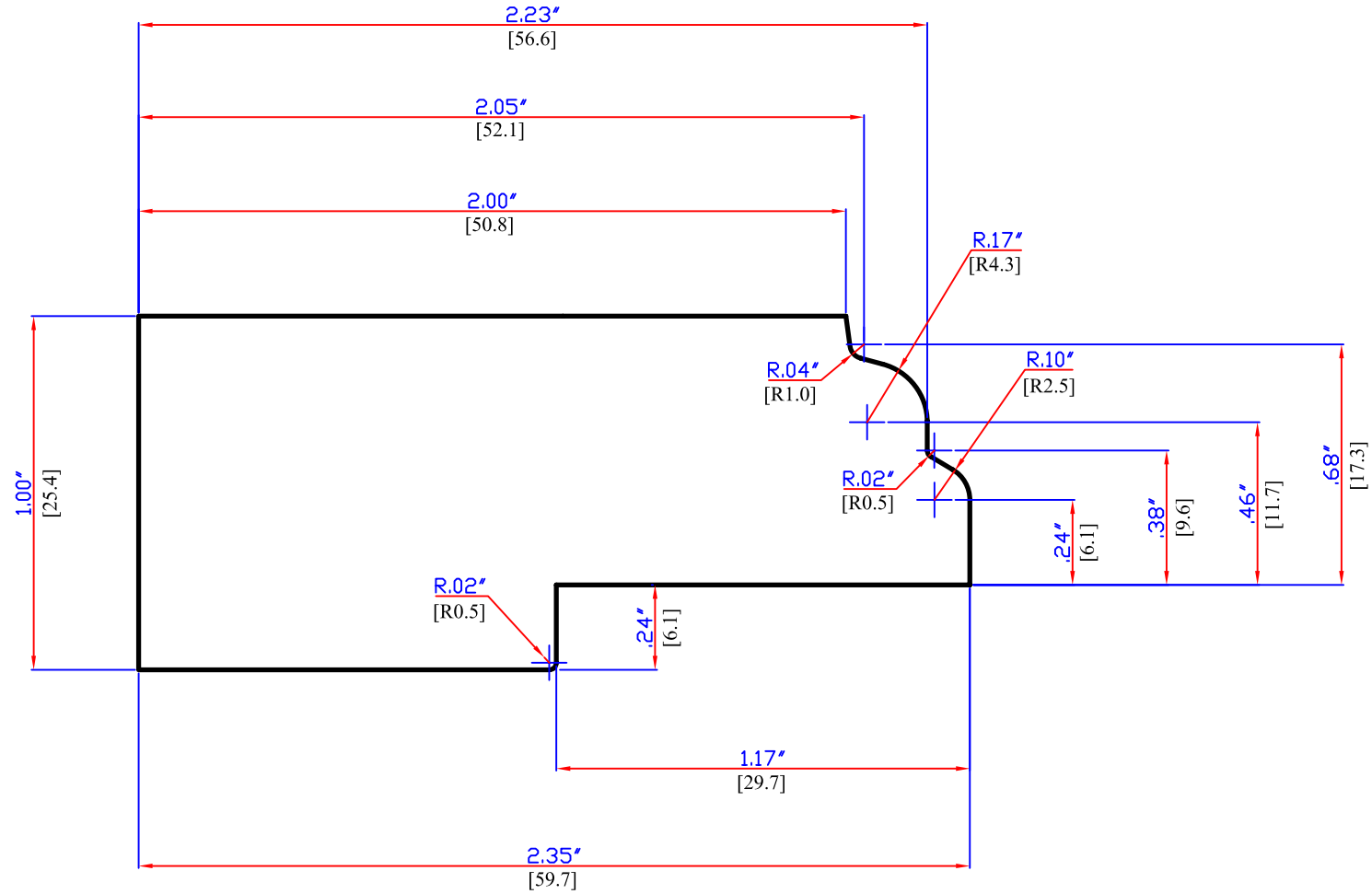


THIS INFORMATION CONTAINED IN THIS DRAWING IS THE SOLE PROPERTY OF C&M WOOD INDUSTRIES, INC. ANY REPRODUCTION IN PART OR AS A WHOLE WITHOUT THE WRITTEN PERMISSION OF C&M WOOD INDUSTRIES, INC. IS PROHIBITED.

REV	DESCRIPTION	DATE	DRAWN BY	APPROVED
01	INITIAL RELEASE	15/03/06	Thien	Hugo



**NOTES:**

1. ALL DIMENSIONS ARE FINISHED DIMENSIONS UNLESS OTHERWISE SPECIFIED.
2. BREAK ALL SHARP EDGES.
3. FINISH: SURFACE FINISH SHALL BE NO SCRATCH, SCAR OR DENT AND NO PATCH IN COLOR.

TOLERANCES UNLESS OTHERWISE SPECIFIED			NAME	DATE	C&M WOOD INDUSTRIES, INC.	
SYMBOL	METRIC	ENGLISH	DRAWN BY	17/12/05		
.X /XX	± .3	± .01	CHECKED	Sonny	DESCRIPTION <b>R9AS - L-FRAME COLONIAL</b>	
.XX/.XXX	± .13	± .005	APPROVED	Hugo		
ANGLE	± 2°	± 2°				
	[MM]	INCH				
SCALE 2:1					DWG.NO. <b>VS508</b>	REV. <b>01</b>