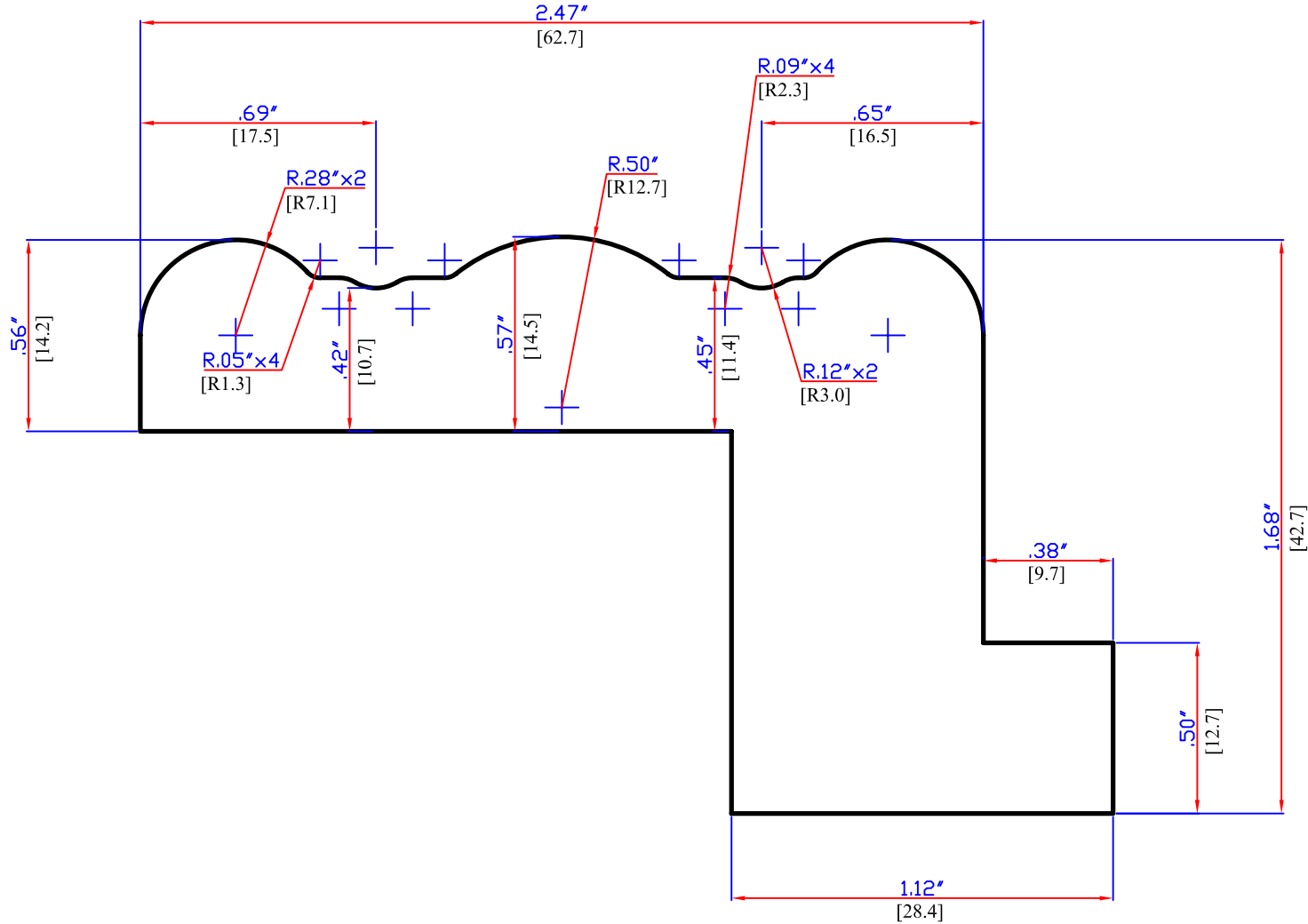


THIS INFORMATION CONTAINED IN THIS DRAWING IS THE SOLE PROPERTY OF C&M WOOD INDUSTRIES, INC. ANY REPRODUCTION IN PART OR AS A WHOLE WITHOUT THE WRITTEN PERMISSION OF C&M WOOD INDUSTRIES, INC. IS PROHIBITED.

| REV | DESCRIPTION | DATE | DRAWN BY | APPROVED |
|-----|-----------------|----------|----------|----------|
| 01 | INITIAL RELEASE | 15/03/06 | Thien | Hugo |



NOTES:

1. ALL DIMENSIONS ARE FINISHED DIMENSIONS UNLESS OTHERWISE SPECIFIED.
2. BREAK ALL SHARP EDGES.
3. FINISH: SURFACE FINISH SHALL BE NO SCRATCH, SCAR OR DENT AND NO PATCH IN COLOR.

| TOLERANCES UNLESS OTHERWISE SPECIFIED | | | NAME | DATE | C&M WOOD INDUSTRIES, INC. |
|---------------------------------------|--------|---------|----------|----------|-----------------------------|
| SYMBOL | METRIC | ENGLISH | DRAWN BY | 17/12/05 | |
| .X / .XX | ± .3 | ± .01 | CHECKED | Sonny | 14/03/06 |
| .XX / .XXX | ± .13 | ± .005 | APPROVED | Hugo | 15/03/06 |
| ANGLE | ± 2° | ± 2° | | | |
| | [MM] | INCH | | | |
| SCALE 2:1 | | | | | DESCRIPTION |
| | | | | | R9AT - FLORIDA FRAME |
| | | | | | DWG.NO. VS509 |
| | | | | | REV. 01 |