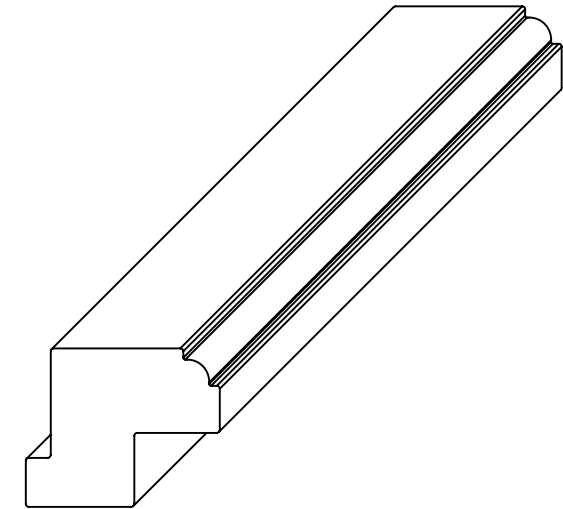
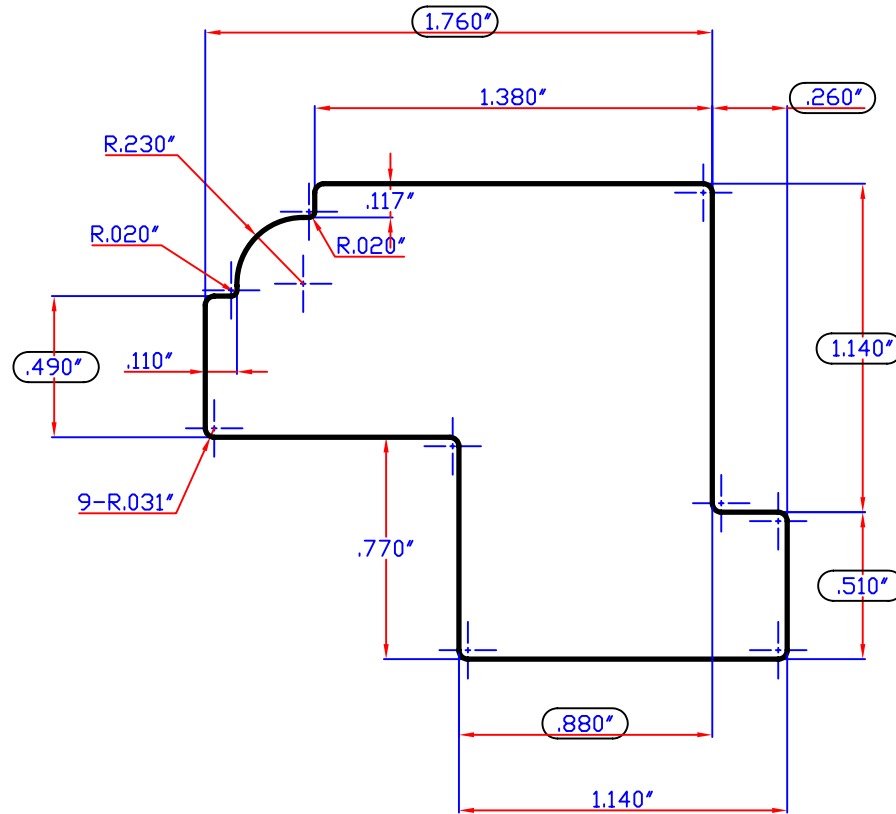


THIS INFORMATION CONTAINED IN THIS DRAWING IS THE SOLE PROPERTY OF C&M WOOD INDUSTRIES, INC. ANY REPRODUCTION IN PART OR AS A WHOLE WITHOUT THE WRITTEN PERMISSION OF C&M WOOD INDUSTRIES, INC. IS PROHIBITED.

| REV. | DESCRIPTION | DATE | DRAWN BY | APPROVED |
|------|-----------------|----------|----------|----------|
| 01 | INITIAL RELEASE | 03/10/06 | Thien | BP |



NOTES:

1. ALL DIMENSIONS ARE FINISHED DIMENSIONS UNLESS OTHERWISE SPECIFIED.
2. BREAK ALL SHARP EDGES.
3. FINISH: SURFACE FINISH SHALL BE NO SCRATCH, SCAR OR DENT AND NO PATCH IN COLOR.
4. **(CIRCLED)** DIMENSIONS ARE CRITICAL DIMENSIONS. TOLERANCE IS $\pm .012"$.

| TOLERANCES UNLESS OTHERWISE SPECIFIED | | | SCALE 3:2 | NAME | DATE | C&M WOOD INDUSTRIES, INC. |
|---------------------------------------|--------|-----------------------|-----------|------------------|----------|---|
| SYMBOL | METRIC | ENGLISH | DRAWN BY | Thien | 01/07/06 | |
| | | | CHECKED | Thien | 03/07/06 | DESCRIPTION COLONIAL L-Z FRAME (RAW WOOD) |
| .X/.XX | | $\pm .03$ | APPROVED | BP | 03/10/06 | |
| .XX/.XXX | | $\pm .016$ | | | | |
| ANGLE | | $\pm 0.5^\circ$ | | | | DWG.NO. VS511 |
| | | INCH | | | | |
| MOISTURE: 6% - 10% | | MATERIAL: BY CUSTOMER | | ENGINEERING CODE | | REV. 01 CUSTOMER: |
| | | COLOR: BY CUSTOMER | | | | |